

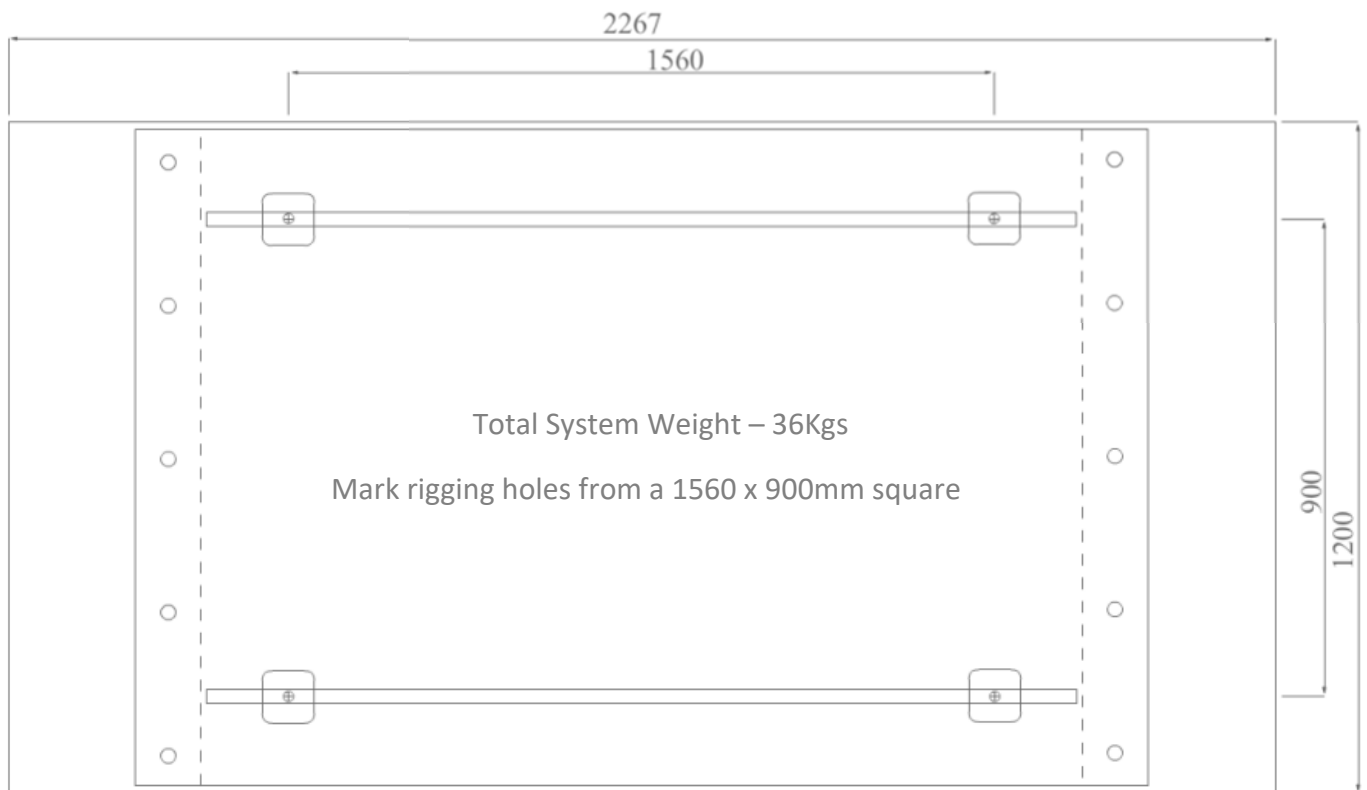
PACKING LIST AND SPEC SHEET

ACRYLIC DIFFUSION CLOUD

Packing Contents:

1. Acrylic Diffusion Cloud flat packed in 2 sections
2. 10x Hex Bolts, 10x Washers, 10x Nylock Nuts
3. 4x Galvanized Cables, 4x Ceiling mounts, 4x Velda clips
4. 4x Eye Bolts, 4x Washers, 4x Nylock Nuts
5. 4x Spring-loaded/Thread locking Carabiners

SYSTEM DIMENSIONS:



ASSEMBLY AND INSTALLATION:

NB: The Acrylic Diffusion Cloud is intended to be installed by an experienced tradesman; the rigging kits are not supplied with substrate specific fixings. Please consult a rigger or fixing professional to ensure safe suspension of the Acrylic Diffusion Cloud.

See video guide here for step by step assembly and installation instructions.

<https://youtu.be/KyigV4jLYbk>

INSTALLATION LOGISTICS:

- 2x People for assembly
- 2x Ladders
- 2x Winch up Stands with Padded T Bars to support the system during assembly and assist with suspension
- Cordless Drill with 4mm Hex Bit
- Adjustable spanner or 10mm socket/wrench
- Substrate specific fixings to attach supplied ceiling mounts

For more information contact sales@prosound.com.au